

GL-E27 電子鬧鐘型 PIR 針孔蒐證 DVR

[充電]

充電時指示燈亮綠燈，充飽後綠燈熄

註：鋰電池完全沒電後或器材存放前，請先充飽電再存放

[電子時鐘-設定時間]

按 Mode 鍵選到時間

長按 Set 鍵(12/24 小時切換選擇)使用 Up/Down 選擇，確認按 Set，結束按 Mode

(小時設定)使用 Up/Down 選擇，確認按 Set，結束按 Mode

(分鐘設定)使用 Up/Down 選擇，確認按 Set，結束按 Mode

[電子時鐘-鬧鐘時間]

按 Mode 鍵選到鬧鐘 ALM

長按 Set 鍵(小時設定)使用 Up/Down 選擇，確認按 Set，結束按 Mode

(分鐘設定)使用 Up/Down 選擇，確認按 Set，結束按 Mode

按 Up 鍵選擇啟動鬧鐘(在時間左方出現鈴鐺)

[電子時鐘-設定時間]

按 Mode 鍵選到日期

長按 Set 鍵(年份設定)使用 Up/Down 選擇，確認按 Set，結束按 Mode

(月份設定)使用 Up/Down 選擇，確認按 Set，結束按 Mode

(日期設定)使用 Up/Down 選擇，確認按 Set，結束按 Mode

時間模式下按 Max/Min 當時累計記錄最高/最低溫度及相對濕度

[格式化]

按住 **格式化 Format** 鍵，**電源 Power** 撥到 On，紅燈閃爍開始格式化記憶卡，紅燈熄滅格式化完成。

[錄影設定時間]

1)在根目錄下新增一個 settime.txt 文件檔，內容例如(2017 年 06 月 01 日 18:57:08)

2017.06.01 18:57:08

2)開機錄影，即可寫入設定時間

[指示燈說明]

藍燈恆亮 - 開機，電源指示燈

藍燈閃爍 - 弱電，請儘快充電

紅燈恆亮 - 錄影中/拍照(閃一次)

綠燈恆亮 - 充電中，充飽綠燈熄滅

青綠燈恆亮 - 開啟自動覆蓋功能

[操作方式]

插入 TF 記憶卡，設定您需要的錄影方式，再打開電源即可

產品說明



指撥開關說明：

Rec • Photo：REC 錄影 / Photo 拍照

Cont • PIR：Cont 全時錄影 - 一直錄

PIR 熱感應偵測錄影 - 偵到環境溫度改變，啟動錄影或拍照

off • Overwrite：off - 關閉自動覆蓋(循環錄影)功能

Overwrite- 開啓自動覆蓋(循環錄影)功能

[注意事項]

您必須先關閉設備，才能變更模式(Rec • Photo / Cont • PIR)

如果您在開機的狀態下突然改變模式，設備可能會當機

[產地]臺灣

[展示中心]綠廣興業有限公司

[地址]台北市南港區忠孝東路六段 388 號

[E-Mail]service@taiwan-spy.com [LINE ID]@uuw5632b

Thermometer & Clock FHD 1080P Covert DVR

Model: GL-E27

[Charging the Battery]

Connect the device to an USB power source via USB cable.

When the battery is fully charged, the green LED will turn off.

- **Blinking Blue LED** - Low battery
- **Solid Green LED** - the device is charging.

[Display Setting]

1.Alarm

- (1) Press **Mode** button to select the alarm display on LCD.
- (2) Long press **Set** button to access the alarm setting.
- (3) Press **Up/Down** button to set the hour and minute.
- (4) Press **Mode** button to retreat from the time setting.
- (5) Back to display mode press **Up** button to switch on the alarm setting.

2.Date

- (1) Press **Mode** button to select the year display on LCD.
- (2) Long press **Set** button to access the date setting.
- (3) Press **Up/Down** button to set up year.
- (4) Press **Set** button again into moth and date selection.
- (5) Press **Up/Down** button to set up month and date.
- (6) Press **Mode** button to retreat from the date setting.

3.Time

- (1) Long press **Set** button to access the time setting
- (2) Select 24-hour or 12-hour clock by pressing **Up** and **Down**.
- (3) Press set to modify the time, using up and **Up** and **Down** to change the time.
- (4) Press **Mode** button to retreat from time setting

4.Temperature and humidity

- (1) Every 20 seconds the system detects automatically the temperature and humidity.
- (2) Temperature detecting from -49°C ~69°C (-56°F~156°F).
- (3) In normal mode press **°C/°F** button to switch to Centigrade or Fahrenheit.
- (4) The humidity detecting from 20%~89%.
- (5) If the system can't detect the temperature and humidity LCD will display __°C __%.

5.Max/Min

- (1) The system memorizes the recent maximum and minimum temperature and humidity.
- (2) In normal mode press once **MAX/MIN** button to display the maximum temperature and humidity.
- (3) In normal mode press twice **MAX/MIN** button to display the minimum temperature and humidity.
- (4) In normal mode press three times **MAX/MIN** button to display the current temperature and humidity.
- (5) In normal mode long press **MAX/MIN** button for two seconds to eliminate the MAX/MIN data and the system will Re-memorizes the newest temperature and humidity.

[Format memory card]

(1) Insert the TF card.

(2) Press and hold **Format** key, and Power On the device, **Red LED** flashes.

(3) Red LED Turn off when the TF card format is complete.

[LED Indicator]

Solid Blue LED - the device is power on.

Blinking Blue LED - Low battery.

Solid Red LED - the device is recording(Blinks once - taking photo).

Solid Green LED - the device is charging(Green LED goes off - the device is fully charged).

Solid Light Green LED - the device is overwrite on.

[Date & Time setting (for Windows system)]

(1) from the desk top right-click to open Notepad, create a text(.txt)file names settime

(2) On the first line of the file, enter date and time information as

year.month.day hours.minutes.seconds.

For example, suppose the times is 2017/2/1; PM08:00,

please enter 2017.02.01 20:00:00

(3) Save the file to the root directory of the memory card.

[Operation]

(1) **Continuous Recording**: First slide **Rec • Photo** to **Rec**. Second, slide **Cont • PIR** to **Cont**. Next, power on the device by sliding **Power** to **On**.

(2) **PIR Activated Recording**: First slide **Rec • Photo** to **Rec**. Second, slide **Cont • PIR** to **PIR**.

Next, power on the device by sliding **Power** to **On**. Whenever the PIR sensor is triggered, DVR will start to record after 3 secs. The length of video varies from 5 secs to 2 mins depending on the movement detection.

(3) **Photo Taking** : Slide **Rec • Photo** to **Photo**, and then slide **Cont • PIR** to **PIR**. Next, power on the device by sliding **Power** to **On**. Device takes 3 photos whenever the PIR sensor is triggered.

Note: When the device is set to **Cont , it will be recording continuously no matter you choose **Rec** or **Photo**.**

(4) **Overwrite Function** : Slide **off • Overwrite** to **Overwrite**, and then power on the device.

(5) **Reset** : Press **Reset** once. The device will reset.

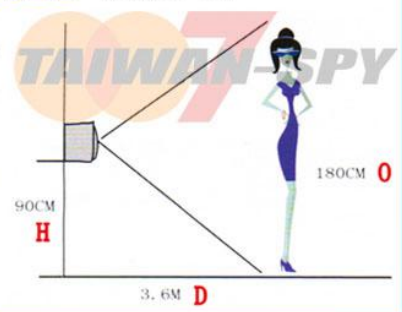
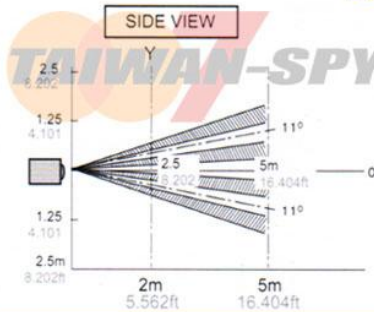
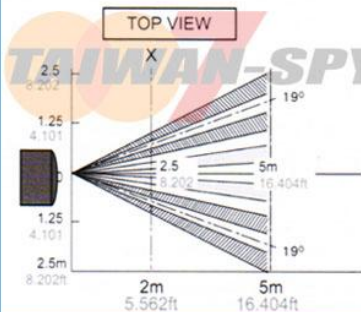
Note: Please be noted that you have to turn off the device first before you change the Photo/Rec mode.

The device may crash if you suddenly change the mode with the power on.

Description



- Green LED : Chargeind/Overwrite
- Red LED : Rec/Photo
- Blue LED : Power On



Made in TAIWAN

[Exhibition center] GREENLEAF Enterprise Co., Ltd.

[Address] No. 388, Chung-Hsiao E. Rd.,Sec6, Taipei City, Taiwan,R.O.C.

[E-Mail]service@taiwan-spy.com

[LINE ID]@uw5632b